

<b>100 - RESERVOIR SEDIMENTATION AND SUSTAINABLE DEVELOPMENT</b>	<b>100 - ALLUVIONNEMENT DES RESERVOIRS ET DÉVELOPPEMENT DURABLE</b>
<p>1. Best practice of storage design including sediment release structures, reservoir operation and sedimentation management techniques including dredging, sediment removal and debris removal.</p> <p>2. Sediment replenishment techniques downstream of dams for river regime and morphology restoration.</p> <p>3. Experiences with turbidity current discharge by bottom outlets and the performance of sediment by-pass tunnels.</p> <p>4. Effect of climate change on reservoir sedimentation and consequences on sustainable storage use.</p>	<p>1. Meilleures pratiques de conception des retenues incluant des ouvrages de transit de sédiments, exploitation des réservoirs et techniques de gestion des sédiments y compris le dragage et l'extraction de sédiments et de débris.</p> <p>2. Techniques de restitution de sédiments à l'aval des barrages pour restaurer le régime et la morphologie des rivières.</p> <p>3. Expériences de l'évacuation des courants de turbidité par des vidanges de fond et performances des galeries de dérivation des sédiments.</p> <p>4. Effets du changement climatique sur l'alluvionnement des retenues et conséquences pour leur exploitation durable.</p>
<b>101 - SAFETY AND RISK ANALYSIS</b>	<b>101 - SECURITE ET ANALYSE DE RISQUE</b>
<p>1. Seismic Risk. Lessons from past earthquakes. Cost efficiency of relevant design improvements for dams.</p> <p>2. Risk from floods on embankment dams, including climate change Data of accidents. Risk analysis. Efficiency and cost of solutions.</p> <p>3. Various risks for concrete and masonry dams including climate change. Data on accidents. Risk analysis. Specific remedies.</p> <p>4. Non-structural drivers that increase or reduce risk Management. Alert Systems. Public Safety. Data on Accidents.</p>	<p>1. Risque sismique. Enseignements des séismes passés. Efficacité et coût des améliorations correspondantes des projets de barrages.</p> <p>2. Risque hydrologique sur les barrages en remblai, y compris risque associé au changement climatique. Leçons issues des accidents. Analyse de risque. Efficacité et coût des solutions.</p> <p>3. Risques pour les barrages en béton ou maçonnerie. Données d'accidents. Analyse de risques. Remèdes spécifiques.</p> <p>4. Causes non structurelles augmentant ou réduisant les risques Management de la construction, Exploitation et Gestion des situations d'urgence. Système d'alerte. Sécurité publique. Données sur les accidents.</p>

102 - GEOLOGY AND DAMS	102 - GÉOLOGIE ET BARRAGES
<p>1. Geology of foundation (investigation, interpretation and characterization) in relation to dam type selection and dam design.</p> <p>2. Foundation treatment:  - Sealing the foundation (e.g. grouting, jet-grouting, cut-off walls, deep cut-off, etc.).  - Strengthening the foundation (e.g. consolidation grouting, anchoring, concreted galleries, etc.).</p> <p>3. Instrumentation and monitoring, behavior of foundations including long term performance.</p> <p>4. Problems and solutions related to soft rocks foundation and foundation on deep overburden.</p> <p>5. Reservoirs and landslides.</p>	<p>1. Géologie des fondations (reconnaitances, interprétation et caractérisation) en relation avec le choix du type de barrage et sa conception.</p> <p>2. Traitement des fondations :  - Étanchement des fondations (injections, jet-grouting, paroi étanche de divers types, coupure profonde, etc.).  - Renforcement des fondations : injection de consolidation, ancrage, galeries bétonnées, etc.).</p> <p>3. Instrumentation, surveillance et comportement des fondations y compris les performances à long terme.</p> <p>4. Problèmes et solutions liées aux fondations sur des roches tendres et aux fondations sur remplissage meuble profond.</p> <p>5. Retenues et glissement de terrain.</p>
103 - SMALL DAMS AND LEVEES	103 - PETITS BARRAGES ET DIGUES
<p>1. Failure modes of levees: lessons learned, risk analysis, safety levels.</p> <p>2. Design, construction and reinforcement of levees, problems with the original design.</p> <p>3. Governance, inspection and monitoring of levees.</p> <p>4. Specific problems experienced and solutions for operating maintaining and rehabilitation of thousands of "Large Dams" lower than 15m.</p> <p>5. Specific problems experienced and solutions for operating, maintaining and rehabilitation of millions of Small Dams lower than 15m and storing less than 1 million m<sup>3</sup>.</p>	<p>1. Mode de rupture des digues : leçons tirées, analyse de risques, niveaux de sécurité.</p> <p>2. Étude, construction et renforcement des digues, problèmes liés à leur conception initiale.</p> <p>3. Gestion, inspection et auscultation des digues.</p> <p>4. Problèmes spécifiques rencontrés et solutions pour exploiter, maintenir et réhabiliter des milliers de « Grands Barrages » de moins de 15m.</p> <p>5. Problèmes spécifiques rencontrés et solutions pour exploiter, maintenir et réhabiliter des millions de Petits Barrages de moins de 15m et stockant moins de 1 millions de m<sup>3</sup>.</p>

## ANNEX B \_ANNEXE B

NUMBER OF PAPERS TO BE SUBMITTED AT THE VIENNA CONGRESS								
Countries	Group	Total	Per Q		Countries	Group	Total	Per Q
ALBANIA	8	18	6		LESOTHO	2	6	2
ALGERIA	7	14	5		LIBYA	2	6	2
ARGENTINA	7	14	5		LUXEMBOURG	1	4	2
ARMENIA	6	12	4		MADAGASCAR	2	6	2
AUSTRALIA	8	18	6		MALAYSIA	6	12	4
<b>AUSTRIA*</b>	<b>7</b>	<b>18</b>	<b>6</b>		MALI	1	4	2
BELGIUM	2	6	2		MEXICO	9	20	7
BOLIVIA	2	6	2		MOROCCO	7	14	5
BOSNIA	3	8	3		MOZAMBIQUE	3	8	3
BRAZIL	9	20	7		MYANMAR	7	14	5
BULGARIA	7	14	5		NEPAL	1	4	2
BURKINA FASO	2	6	2		NETHERLANDS	2	6	2
CAMEROON	2	6	2		NEW ZEALAND	6	12	4
CANADA	10	22	8		NIGER	2	6	2
CHILE	6	12	4		NIGERIA	5	10	4
CHINA	11	26	9		NORWAY	8	18	6
COLOMBIA	6	12	4		PAKISTAN	7	14	5
CONGO	2	6	2		PANAMA	2	6	2
COSTA RICA	2	6	2		PARAGUAY	1	4	2
CROATIA	4	9	3		PERU	6	12	4
CYPRUS	2	6	2		PHILIPPINES	2	6	2
CZECH REP	7	14	5		POLAND	6	12	4
DOMINICAN REP	2	6	2		PORTUGAL	7	14	5
EGYPT	2	6	2		ROMANIA	7	14	5
ETHIOPIA	2	6	2		RUSSIA	6	12	4
FINLAND	6	12	4		SERBIA	6	12	4
FYR OF MACEDONIA	4	9	3		SLOVAKIA	5	10	4
FRANCE	9	20	7		SLOVENIA	5	10	4
GEORGIA	2	6	2		SOUTH AFRICA	10	22	8
GERMANY	8	18	6		SPAIN	9	20	7
GHANA	1	4	2		SRI LANKA	6	12	4
GREECE	7	14	5		SUDAN	1	4	2
GUATEMALA	1	4	2		SWEDEN	7	14	5
GUINEA-BISSAU	2	6	2		SWITZERLAND	7	14	5
HONDURAS	2	6	2		SYRIA	5	10	4
ICELAND	4	9	3		TAJIKISTAN	2	6	2
INDIA	11	26	9		THAILAND	7	14	5
INDONESIA	7	14	5		TUNISIA	6	12	4
IRAN	8	18	6		TURKEY	9	20	7
IRAQ	2	6	2		UKRAINE	3	8	3
IRELAND	3	8	3		UK	8	18	6
ITALY	8	18	6		URUGUAY	2	6	2
IVORY COST	4	9	3		USA	11	26	9
JAPAN	11	26	9		UZBEKISTAN	4	9	3
KENYA	3	8	3		VENEZUELA	6	12	4
KOREE	10	22	8		VIETNAM	6	12	4
LATVIA	1	4	2		ZAMBIA	1	4	2
LEBANON	2	6	2		ZIMBABWE	8	18	6

\* Host Country

**NEW GUIDELINES FOR THE PREPARATION  
OF PAPERS (AND COMMUNICATIONS) SUBMITTED TO ICOLD CONGRESSES**

**October 2016**

*These instructions to authors concern manuscript preparation of Papers (and Communications) to be included in the Proceedings of ICOLD Congresses.*

*The presentation in digital form of Congress Papers makes it necessary to accommodate the previous “Guidelines for Preparation of ICOLD Congress Papers (and Communications)”. It is important to adhere strictly to the new Instructions in order to facilitate the final editing by Central Office. Anything less than full compliance may be detrimental to uniform presentation and require complete reformatting.*

*Rather than submitting a partially compliant copy, it is better to type the manuscript as plain text, showing the approximate positions for the illustrations. Central Office will take charge of the final formatting.*

*Papers and Communications should be sent to Central Office by email or on CD Rom or USB Key **accompanied by an** A4 (21 x 29.7cm) paper print-out (one side of the paper only) as control.*

*Please note that National Committees are responsible for the instructions being followed. Manuscripts not completely formatted or not submitted as plain unformatted text will be returned to National Committees.*

Central Office

## INTRODUCTION

All final manuscripts submitted to Congress must be prepared in MS Word, in a form directly suitable for photo-offset printing. These Instructions to Authors are intended to improve the completion of the Proceedings. Final acceptance of papers will be based on the quality of the full paper.

### 1. GENERAL LAY-OUT

Note: the reference to ICOLD and to the Congress in the upper left corner of the first page is always in French.

#### 1.1. LENGTH

The total length of the paper, including title, summary, text, figures, photographs, references and acknowledgements must not exceed 20 pages. The number of words in a printed page without drawings or diagrams is approximately 450.

#### 1.2. FONT

All text must be MS Arial 11-point font size, with line spacing "exactly 14 pt", and justified (straight left- and right-hand margins).

#### 1.3. PAGE SIZE (A4 size paper: 21 x 29.7 cm) AND MARGINS

Page margins are as follows:

Top	3.1 cm	1.22 inch
Bottom	3.3 cm	1.30 inch
Left	3.5 cm	1.38 inch
Right	3.5 cm	1.38 inch

#### 1.4. TITLE OF PAPER

The title should be MS Arial 11 point, bold. Use only UPPER CASE and center text. The title should be no longer than 100 characters, not counting spaces. It ends with an asterisk, to refer the reader to the footnote with the translation of the title.

There should be one single-spaced ("exactly" 14) line between the paper title and the first author's name.

## 1.5. AUTHOR NAME(S) AND AFFILIATION

The author's first name or initials followed by his or her surname should be centered using MS Arial 11 point.

Under the author's name: author's affiliation (MS Arial 11 point, italics,) includes job position, organization, and country.

If there is more than one author, leave a blank line between each.

Leave three blank single-spaced ("exactly" 14 pt) lines between the (last) author's name and the heading of the first section of the paper.

## 2. MAIN TEXT

### 2.1. SPACING AND INDENTING

As mentioned, the base font is MS Arial 11 point, with "exactly" 14pt line spacing, justified (straight left- and right-hand margins).

Paragraphs in the main text should be indented 1.0 cm, but tables and figures should not be indented at all.

Leave three blank lines before and two blank lines after primary headings. Leave two blank lines before and after secondary headings, leave two blank lines before and one blank line after tertiary headings.

One line should be left blank before and after equations, figures and tables (including captions) and the main text.

### 2.2. SECTION NUMBERING

Within the paper, number all headings as follows:

1. PRIMARY HEADING (MS Arial 11 point, all capital letters, centered, 1cm tabulation between heading number and heading title).

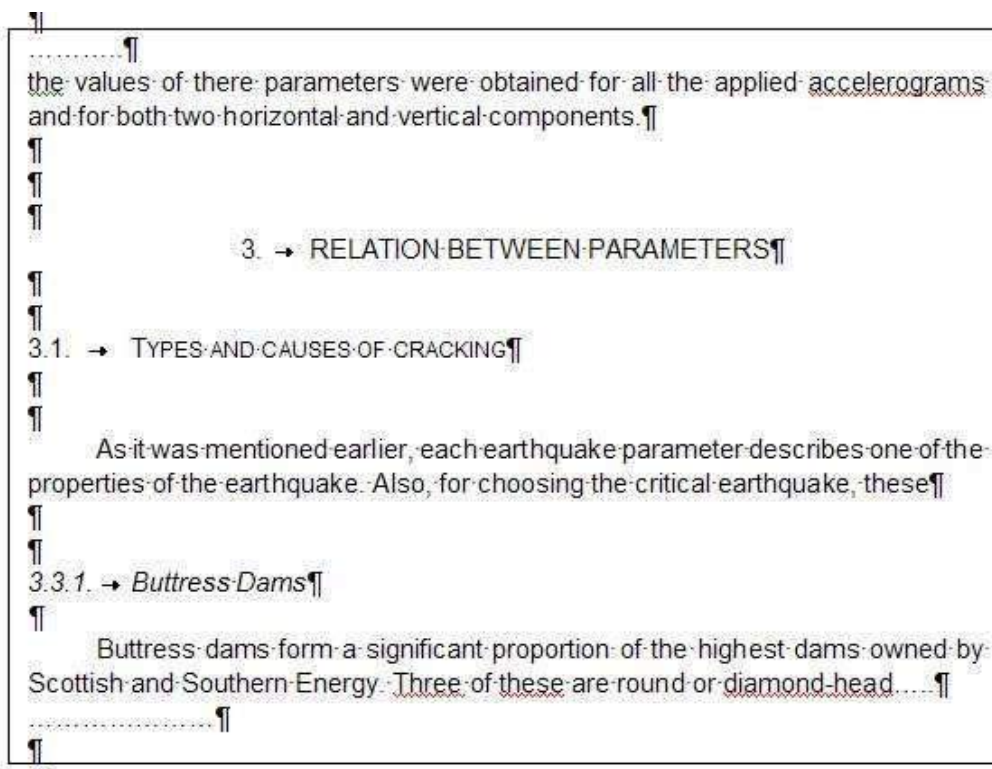
1.1. SECONDARY HEADING (MS Arial 11 point, small caps, justified, 1.5cm tabulation between number and title).

1.1.1. *Tertiary Heading* (MS Arial 11 point, italics, justified, 1.5cm tabulation between number and title).

## Example for title, authors, primary heading and 1st section

COMMISSION INTERNATIONALE DES GRANDS BARRAGES ----- VINGT-TROISIÈME CONGRÈS DES GRANDS BARRAGES <i>Brasilia, juin 2009</i> -----	α
¶ ¶ ¶ ¶ ¶	
<p style="text-align: center;"><b>LOW-RISK AND COST SOLUTION FOR CARUACHI SPILLWAY<sup>(*)</sup></b></p> <p style="text-align: center;">¶</p> <p style="text-align: center;">Celso CASTRO GOMEZ¶</p> <p style="text-align: center;"><i>Head of Hydraulic Department, CVG EDELCA¶</i></p> <p style="text-align: center;">¶</p> <p style="text-align: center;">VENEZUELA¶</p>	
¶ ¶ ¶	
<p style="text-align: center;">1. → INTRODUCTION¶</p>	
¶ ¶ <p>The Caruachi Project (2196 MW, in operation, Fig. 1) is the third of the Lower Caroní Hydroelectric Development located south-east Venezuela, upstream of the confluence with the Orinoco river. With Guri (9715 MW in operation) 59 km upstream of Caruachi, Macagua (2968 MW in operation) 22 km downstream of Caruachi, and Tocoma (2160 MW under construction) 16 km downstream of Guri, comprise the total capacity of 17 039 MW (Fig. 2).¶</p>	
¶ <p>For the construction of the Caruachi main works, the Caroní river was diverted of their natural course in two stages. In the first stage, the river was diverted toward to the left bank, by means of 3000 m of cofferdams to allow the construction in the dry area of the main structures: spillway and bottom sluices,</p>	
<div style="border: 1px solid black; width: 200px; height: 15px; margin-bottom: 5px;"></div> <p>(*) Solution à faible risque et au coût modéré pour l'évacuateur du barrage de Caruachi.¶</p>	

*Example for primary, secondary and tertiary headings*



### 2.3. FIGURES AND PHOTOGRAPHS

The illustrations are to be presented in the form of scanned photographs or drawings, under JPG format, with a resolution not smaller than 300ppm.

All figures and photographs may be embedded in the Word manuscript or sent as a separate file (in which case, their positions should be indicated in the main text). Number all illustrations (whether drawings or photographs) consecutively in the order of appearance and refer to them as "Fig.1", "Fig. 2 to 5", etc. They should appear in the manuscript as soon as possible after they are first mentioned in the text or at the end of the chapter. All illustrations should be centered.

Captions in both languages (MS Arial 11 point, centered) should be placed immediately below the illustration. One single spaced-line ("exactly" 14 pt) should be left between the figure (including caption) and the surrounding texts. The key in both languages - 2 columns - (MS Arial 11 point), Figures will appear as shown in Fig. 1.



Example for figures

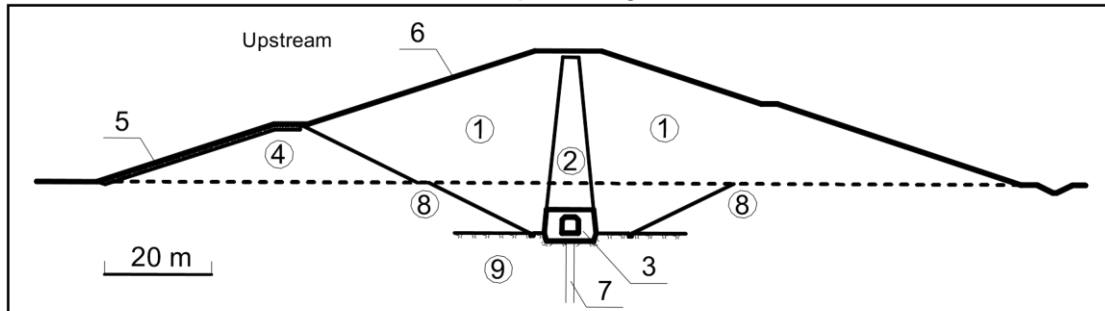


Fig. 1  
The highest section of the Wiory dam  
*Section la plus haute du barrage de Wiory*

1	Main embankment (sand)	1	<i>Corps du barrage (sable)</i>
2	Clay core	2	<i>Noyau en argile</i>
3	Grouting and inspection gallery	3	<i>Galerie d'injection et d'inspection</i>
4	Lower part of the dam fulfilling the temporary task of upstream cofferdam during the third stage of construction	4	<i>Partie inférieure du barrage créant le batardeau amont pendant la troisième étape de construction</i>
5	Riprap layer (thickness 70 cm) placed on geotextile	5	<i>Enrochement (70 cm d'épaisseur) posé sur géotextile</i>
6	Reinforced concrete slabs	6	<i>Dalles en béton armé</i>
7	Grouting curtain	7	<i>Voile d'injection</i>
8	Alluvium	8	<i>Alluvium</i>
9	Rock	9	<i>Rocher</i>

The construction works were executed in 3 stages:

XX  
XXXXXXXXXXXXXXXX

**2.4. TABLES**

Tables should be typed in MS Arial 11 pt (or not smaller than 8 pt) with the title in MS Arial 11 pt, centered. Leave a blank line ("exactly" 14 pt) before the table.

Tables should be centered with respect to the page margins. All tables should be referred in the text as "Table 1", or "Tables 1 and 2"; and appear in the manuscript close to the first reference to them in the text. Footnotes to a table should be aligned with the left-hand border of the table. Figures will appear as shown in Table 2.

*Example for Tables*

No.	Frequency (Hz)	Damping (%)
1	1.46	1.32
2	2.27	1.21
3	2.44	1.12

(\*)  
xxxxxxx

**2.5. EQUATIONS**

Equations are numbered in sequence between square brackets against the right-hand margin: [1], [2], etc. References to them in the text appear as “Eq.[1],” etc. Leave a blank line (“exactly” 14 pt) before and after the equation. For example:

$$I = I_{\max} - \prod_i^n (I_{\max} - I_i) (I_{\max} - I_{\min})^{n-1} \quad [1]$$

Make sure the base font for the equation is 10 pt. MS Word “Equation Editor” tool should be used for writing all equations.

**2.6. FOOTNOTES**

Footnotes should be in MS Arial 10 pt, italics.

**2.7. HEADERS AND FOOTERS**

There should be no headers. Do not number pages (this will be done in the final formatting).

**2.8. UNITS**

Units of measurement and abbreviations should conform to the International System (S.I.). Full stop (Anglo-Saxon usage) or comma (European usage) must be used as decimal signs only. Units of the country of origin may be added in brackets. Any special abbreviation should be accompanied by its extended form the first time it appears in the text. Use Arabic or Latin numbers.

## 2.9. ACKNOWLEDGEMENTS

Authors can include an acknowledgment section if they wish to acknowledge any help they may have received for their study in their paper. The section heading is in same font and line spacing of the 1st level heading, but is centered and has no section number.

## 2.10. REFERENCES

References are identified in the text by numbers between square brackets. The list of references, showing author's name and title and date of publication should be placed at the end of the paper in the order they are mentioned in the main text. The heading of this section should use the same font, font size and spacing as primary level headings but centered on the page and not numbered. If several works by the same author are listed, they should be arranged in chronological order. MS Arial 11 pt should be used, with "exactly" 14 pt line spacing. Names of Journals, Proceedings and books should be in italics. All works cited should be numbered in the order they are mentioned in the text (see example below).

### *Example for References*

REFERENCES	
[1]	IVASHCHENKO I.N., KIRDODA P.A. Assessment and selection of variants of hydraulic structures on multicriterial basis. <i>Gidrotekhnicheskoye Stroitelstvo</i> , 1991, № 10.
[2]	KINI R.L., RAIFA X. Decision making at numerous criteria of preference and substitution. <i>Radio and svjaz</i> , 1981.

## 2.11. SUMMARY AND KEY-WORDS

The Summary should be in both official languages (English and French), starting with the language used in the paper, followed by its translation. It forms the last section of the paper.

The font size of the Summary should be MS Arial 11 point, justified, line spacing "exactly" 14 pt; the heading (SUMMARY) should be all capital letters, and centered.

The Summary should be concise and complete in itself without reference to the text of the paper. It should state the general problem and objectives, summarize the results and main conclusions, and state general implications. The total extension of the Summary should be one or not than two printed pages long lives.

The Congress Proceedings will be published as a CD ROM that contains full manuscripts of papers and a printed volume that contains only the title and authors,

and the Summary of each paper. Therefore, the main ideas, research methodology and the main results of the paper should appear in the Summary. No figures, equations or reference numbers should be used in Summary.

Keywords must be taken from the keywords list (see Circular Letter 1694) and typed on a separate page. There is no point in using words not appearing in the list. Names of dams referred to in the paper should be included.

### **3. CLEARANCES AND COPYRIGHT**

The author(s) is (are) responsible for obtaining written permission to profile the project or subject matter in their papers from any and all clients, owners or others who commissioned the work. ICOLD assumes proper permission has been obtained by author(s) and accepts no liability for the author(s) failing to do so.

If a figure, table or photograph has been published previously, it will be necessary for the author(s) either to obtain written approval from the original publisher; or refer clearly to the source of previously published material in the caption of the figure, table or photograph.

## NOUVEAU GUIDE POUR LA PRÉPARATION DES RAPPORTS (ET COMMUNICATIONS) SOUMIS AUX CONGRÈS DE LA CIGB

Octobre 2016

*Ce Guide concerne la préparation des manuscrits des Rapports (et Communications) destinés à paraître dans les Comptes Rendus des Congrès de la CIGB.*

*L'informatisation du traitement des Rapports des Congrès, nous a conduit à réviser notre « Guide pour la Préparation des Rapports (et Communications) soumis aux Congrès de la CIGB ». Le respect intégral des instructions données dans ce Guide est impératif pour faciliter la mise en page effectuée par le Bureau Central. Si elles ne sont pas respectées à la lettre, elles risquent de perturber l'homogénéité de présentation et nécessiteront une révision complète du formatage.*

*Plutôt que de nous faire parvenir une copie non-conforme à ces Recommandations, nous vous suggérons de présenter votre rapport sous forme d'un texte brut, en nous indiquant seulement l'emplacement approximatif des illustrations. Le Bureau Central se chargera alors de leur mise en page finale.*

*Les Rapports et les Communications seront adressés au Bureau Central, soit par e-mail, soit sur CD-Rom ou clé USB **avec** impérativement dans chaque cas une copie papier (A4 : 21 x 29,7) – recto seulement – pour contrôle.*

*Nous vous rappelons que les Comités Nationaux sont responsables du respect des indications contenues dans ce Guide. Les rapports non-conformes à l'un ou l'autre des deux types de présentation proposés (texte brut ou texte formaté) seront retournés aux Comités Nationaux.*

Le Bureau Central

## INTRODUCTION

Les manuscrits définitifs présentés aux Congrès seront présentés en MS Word, sous une forme compatible avec leur reproduction par photo-offset. Le présent Guide est rédigé dans l'optique d'améliorer la préparation des Comptes Rendus. L'acceptation des Rapports sera basée sur la qualité du manuscrit complet.

### 1. PRÉSENTATION GÉNÉRALE

Veuillez noter que la référence à la CIGB et au Congrès (en haut à gauche de la 1<sup>ère</sup> page des Rapports) est toujours en français.

#### 1.1. LONGUEUR

La longueur totale du rapport (titre, résumé, texte, figures, photos, références, remerciements) ne doit pas dépasser 20 pages. Une page de texte sans graphiques ni schémas contient environ 450 mots en moyenne.

#### 1.2. POLICE

L'ensemble du texte est réalisé en Arial MS 11 pt, interligne «exactement 14 pt», justifié.

#### 1.3. FORMAT DU PAPIER (A4 : 21 x 29,7 CM) ET MARGES

Les marges seront :

Haut	3.1 cm	1.22 inch
Bas	3.3 cm	1.30 inch
Gauche	3.5 cm	1.38 inch
Droite	3.5 cm	1.38 inch

#### 1.4. TITRE DU RAPPORT

Cet élément est réalisé en Arial MS 11 pt, gras, lettres majuscules, centré. Le titre ne doit pas dépasser 100 caractères (espaces non compris). La traduction du titre, donnée en Note de bas de page, est annoncée par un astérisque à la fin du titre original.

Laissez une ligne blanche (interligne «exactement 14 pt») entre le titre du rapport et le nom du premier auteur.

#### 1.5. AUTEUR(S) : NOM(S) ET POSITION(S)

Le prénom de l'auteur doit apparaître en premier (ou seulement ses initiales), suivi de son nom de famille. Texte centré, police Arial MS 11 pt.

Sous le nom de l'auteur : position de l'auteur (Arial MS 11 pt, italique), organisme, et pays.

S'il y a plusieurs auteurs : les séparer par une ligne blanche.

On laisse trois lignes blanches (interligne « exactement 14 pt») entre le pays de l'auteur (ou du dernier auteur) et le titre du premier chapitre.

## 2. CORPS DU TEXTE

### 2.1. ESPACEMENT ET RETRAITS

Comme nous avons déjà vu, la police de base est Arial MS 11 pt, interligne «exactement 14 pt», texte justifié.

Les alinéas dans le corps du texte commencent avec un retrait de 1.0 cm; par contre, il n'y a pas de retrait pour les tableaux et les figures.

On laisse trois lignes blanches avant les titres de chapitre, et deux lignes blanches après ceux-ci. Pour les titres de deuxième niveau, on laisse deux lignes blanches avant et deux lignes après. Pour les titres de troisième niveau, on laisse deux lignes blanches avant et une après.

Entre le corps du texte d'une part et d'autre part les équations, les figures, les tableaux (avec légende), on laisse une ligne blanche avant et après.

### 2.2. NUMÉROTAGE DES CHAPITRES

Dans le corps du texte, les titres sont numérotés de la façon suivante :

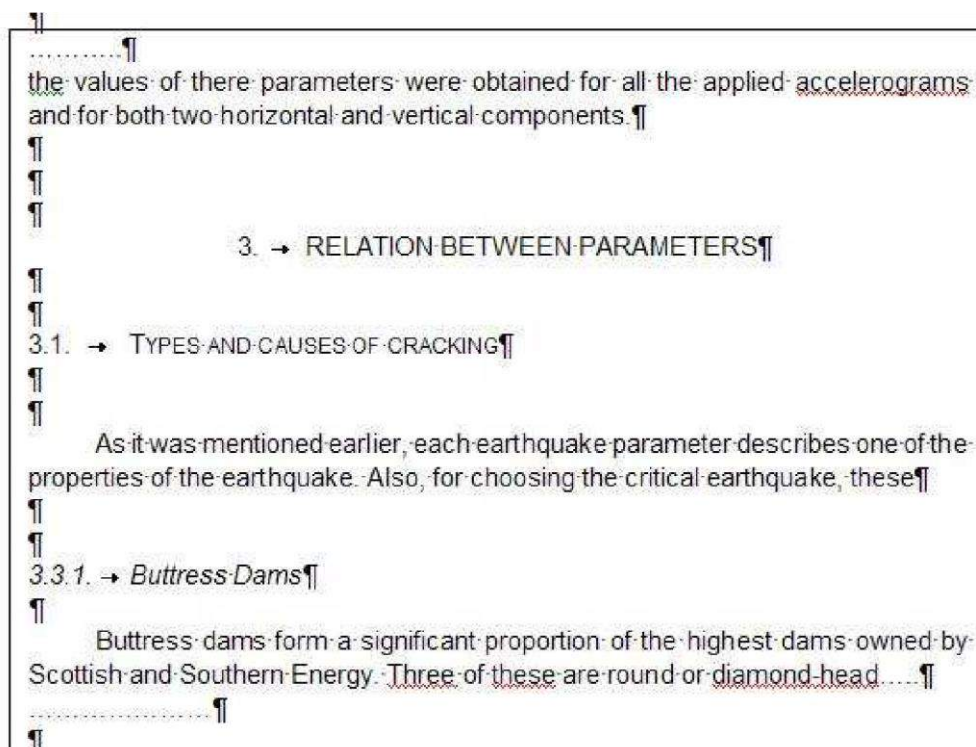
1. TITRE PREMIER NIVEAU (Arial MS 11pt, tout en majuscules, centré, tabulation 1cm entre numérotation et titre)
- 1.1. TITRE DEUXIEME NIVEAU (Arial MS 11pt, petites majuscules, justifié, tabulation 1,5 cm entre numérotation et titre)
- 1.1.1. *Titre Troisième Niveau* (Arial MS 11pt, italique, justifié, tabulation 1,5 cm entre numérotation et titre)

Exemple de mise en page (titre du rapport, auteur(s), titre premier niveau et premier chapitre)

COMMISSION INTERNATIONALE DES GRANDS BARRAGES ----- VINGT-TROISIÈME CONGRÈS DES GRANDS BARRAGES Brasilia, juin 2009 -----	□
<p style="text-align: center;"><b>LOW-RISK-AND-COST-SOLUTION-FOR-CARUACHI-SPILLWAY<sup>(*)</sup></b></p> <p style="text-align: center;">Celso CASTRO GOMEZ          Head of Hydraulic Department, CVG EDELCA          VENEZUELA</p>	
<p style="text-align: center;">1. → INTRODUCTION</p>	
<p>The Caruachi Project (2196 MW, in operation, Fig. 1) is the third of the Lower Caroní Hydroelectric Development located south-east Venezuela, upstream of the confluence with the Orinoco river. With Guri (9715 MW in operation) 59 km upstream of Caruachi, Macagua (2968 MW in operation) 22 km downstream of Caruachi and Tocoma (2160 MW under construction) 16 km downstream of Guri, comprise the total capacity of 17 039 MW (Fig. 2).</p> <p>For the construction of the Caruachi main works, the Caroní river was diverted of their natural course in two stages. In the first stage, the river was diverted toward to the left bank, by means of 3000 m of cofferdams to allow the construction in the dry area of the main structures: spillway and bottom sluices.</p>	
<p><sup>(*)</sup> Solution à faible risque et au coût modéré pour l'évacuateur du barrage de Caruachi.</p>	



Exemple de mise en page (titres de premier, deuxième et troisième niveaux)



### 2.3. FIGURES ET PHOTOS

Les illustrations seront présentées sous forme de photographies ou dessins scannés, au format JPG, avec une résolution minimum de 300ppp.

Dans les manuscrits, les illustrations (figures, photos) seront insérées à leur emplacement définitif dans le texte ou groupées dans un fichier à part (dans ce dernier cas, indiquer leur emplacement dans le texte). Toutes les illustrations (croquis, photos, ...) seront identifiées par un numéro d'ordre et citées dans le texte ainsi : Fig. 1 – Fig. 2 à 5 – et ainsi de suite. Elles seront placées au plus près de la première mention dans le texte, ou à la fin de chaque chapitre, au choix. Les illustrations seront centrées sur la largeur de la page.

Les titres (bilingues) des illustrations seront en Arial MS 11 pt, centré, et placés juste sous l'illustration. On prévoit une seule ligne blanche (interligne «exactement 14 pt») entre le titre de l'illustration et sa légende et entre la légende et le corps du texte. La légende est bilingue, sur deux colonnes (Arial MS 10 pt). Un exemple est donné ci-dessous dans la Fig. 1.

## Exemple des figures

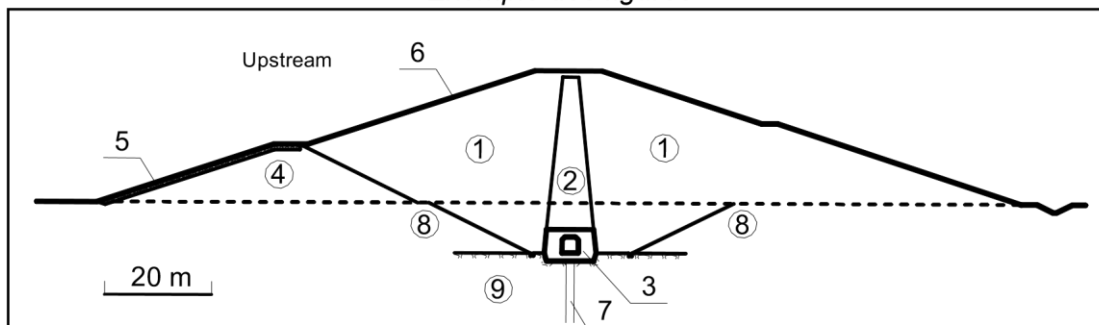


Fig. I

The highest section of the Wiory dam  
*Section la plus haute du barrage de Wiory*

1	Main embankment (sand)	1	Corps du barrage (sable)
2	Clay core	2	Noyau en argile
3	Grouting and inspection gallery	3	Galerie d'injection et d'inspection
4	Lower part of the dam fulfilling the temporary task of upstream cofferdam during the third stage of construction	4	Partie inférieure du barrage créant le batardeau amont pendant la troisième étape de construction
5	Riprap layer (thickness 70 cm) placed on geotextile	5	Enrochement (70 cm d'épaisseur) posé sur géotextile
6	Reinforced concrete slabs	6	Dalles en béton armé
7	Grouting curtain	7	Voile d'injection
8	Alluvium	8	Alluvium
9	Rock	9	Rocher

The construction works were executed in 3 stages:

XX  
 XXXXXXXXXXXXXXX

## 2.4. TABLEAUX

Pour les tableaux, les écritures sont en Arial MS 11 pt (8 pt minimum) et le titre est en Arial MS 11 pt, centré, en laissant une ligne blanche (interligne «exactement 14 pt») au-dessus du tableau.

Les tableaux sont centrés par rapport aux marges de la page. Les mentions dans le texte s'écrivent "Tableau 1" - "Tableaux 1 et 2," etc. Les tableaux sont placés dans le texte au plus près de leur première mention. Les notes en bas de tableau seront alignées au bord gauche du tableau. Un exemple est donné ci-dessous dans le Tableau 2.

*Exemple des Tableaux*

No.	Frequency (Hz)	Damping (%)
1	1.46	1.32
2	2.27	1.21
3	2.44	1.12

(\*) xxxxxxxx

**2.5. ÉQUATIONS**

Les équations seront numérotées dans l'ordre, ce numéro étant présenté entre des crochets près de la marge droite : [1] ou [2]. Pour citer les équations dans le texte, on écrit "Eq. [1]," etc., selon le cas. On laisse une ligne blanche (interligne «exactement 14 pt») entre une équation et le texte au-dessus et au-dessous. Exemple :

$$I = I_{\max} - \prod_i^n (I_{\max} - I_i) (I_{\max} - I_{\min})_{n-1} \quad [1]$$

Veiller à ce que la taille des caractères soit bien de 10 pt. Pour générer les équations, on utilise l'outil Éditeur d'Équations dans MS Word.

**2.6. NOTES DE BAS DE PAGE**

Pour les notes de bas de page, on choisit Arial MS 10 pt, italique.

**2.7. EN TÊTES ET BAS DE PAGE**

Il n'y a pas d'en-tête. Les pages ne sont pas numérotées (la pagination sera faite lors de la mise en forme de l'ouvrage).

**2.8. UNITÉS DE MESURE**

Les unités de mesure et leurs symboles seront conformes au Système International (SI). Le point (usage anglo-saxon) et la virgule (usage européen) ne seront utilisés que comme signe décimal. Les mesures en unités en vigueur dans le pays d'origine de l'auteur du rapport peuvent éventuellement être ajoutées entre parenthèses. Pour les sigles ou acronymes peu connus, on cite le nom en entier, la première fois qu'ils apparaissent dans le texte. Pour les chiffres, les chiffres arabes ou romains sont acceptables.

## 2.9. REMERCIEMENTS

Les auteurs voulant faire part des soutiens éventuels reçus pour effectuer les études relatives au rapport peuvent insérer un chapitre "Remerciements." Le titre de ce paragraphe reprend les dispositions demandées pour les titres de premier niveau (police, taille, espacement), mais sans numérotation.

## 2.10. RÉFÉRENCES

Les ouvrages cités dans les Références seront identifiés dans le texte par un chiffre entre crochets. La liste de ces ouvrages (avec le nom des auteurs, le titre et la date de parution) sera placée dans la partie Références, à la fin du rapport, dans l'ordre où ils sont mentionnés dans le texte. Le titre de ce chapitre reprend les dispositions demandées pour les titres de premier niveau (police, taille, espacement), mais sans numérotation. En cas de plusieurs ouvrages du même auteur, ceux-ci seront classés en ordre chronologique. La police sera Arial MS 11 pt, et interligne «exactement 14 pt»; le nom du Journal, des Comptes-Rendus ou du Livre seront en italique. Tous les ouvrages cités doivent être numérotés dans l'ordre de citation dans le texte (voir exemple ci-dessous):

### *Exemple pour les Références*

RÉFÉRENCES	
[1]	IVASHCHENKO I.N., KIRDODA P.A. Assessment and selection of variants of hydraulic structures on multicriterial basis. <i>Gidrotekhnicheskoye Stroitelstvo</i> , 1991, № 10.
[2]	KINI R.L., RAIFA X. Decision making at numerous criteria of preference and substitution. <i>Radio and svjaz</i> , 1981.

## 2.11. RÉSUMÉ ET MOTS-CLÉS

Le Résumé est bilingue (Français et Anglais). Il est d'abord dans la langue du rapport, puis dans sa version traduite. C'est le dernier chapitre du rapport.

Le Résumé est dactylographié en Arial MS 11 pt, justifié, interligne «exactement 14 pt». Le titre (RÉSUMÉ) est en majuscules, et centré.

Le Résumé doit être un texte bref mais complet, sans avoir à consulter le texte du rapport. Il présente le problème traité dans ses grandes lignes, ainsi que les objectifs de l'étude ; il fait la synthèse des résultats obtenus, il énonce les conclusions tirées, et présente les conséquences de celles-ci. Le Résumé fait une page, ou deux au maximum.

Les Comptes Rendus du Congrès seront publiés en deux formats, à savoir, en CD-Rom regroupant l'ensemble des rapports dans leur intégralité, et en version papier, limitée aux Titres et Noms des Auteurs et aux Résumés. Ainsi, le Résumé doit présenter les idées directrices, la méthodologie de l'étude, et les principaux résultats consignés dans le rapport. Les figures, équations et références bibliographiques sont proscrites.

Les mots-clés doivent être indiqués sur une feuille séparée ; ils doivent être pris dans la liste jointe à la Circulaire 1694. Il est inutile de rajouter des mots-clés ne figurant pas dans cette liste. Il convient de citer également les noms des barrages

### **3. AUTORISATIONS ET COPYRIGHT**

Il incombe à l'auteur/aux auteurs d'obtenir la permission écrite de décrire le projet ou le sujet de leur rapport auprès des clients, des maîtres d'ouvrage ou des donneurs d'ordre. La CIGB suppose que les auteurs auront obtenu de telles autorisations et dans le cas contraire, décline toute responsabilité.

Si une figure, un tableau ou une photo a déjà été publié précédemment, les auteurs des rapports devront, soit solliciter la permission écrite d'utiliser cet élément auprès du détenteur des droits, soit faire figurer la provenance de cet élément dans la légende associée à cet élément.

<b>KEY-WORDS</b>	
<b>ENGLISH</b>	<b>FRENCH</b>
ABUTMENT	APPUI
ABUTMENT BLOCK	CULEE
ACCELERATING AGENT	ACCELERATEUR DE PRISE
ACCELERATION	ACCELERATION
ACTIVE STORAGE	RESERVE UTILE
AERATION	AERATION
AESTHETIC EFFECT	EFFET ESTHETIQUE
AGEING	VIEILLISSEMENT
AGGREGATE	GRANULAT
AGGRESSIVE WATER	AGRESSIVITE DE L'EAU
AGRICULTURE	AGRICULTURE
AIR ENTRAINING AGENT	ENTRAINEUR D'AIR
ALGAE	ALGUE
ALKALIAGGREGATE REACTION	ALCALI REACTION
ALLUVIAL FORMATION	FORMATION ALLUVIALE
ALTERATION	ALTERATION
ANALOGUE STUDY	ETUDE ANALOGIQUE
ANALYSIS	CALCUL
ANCHORAGE	ANCRAGE
ANIMAL	ANIMAL
APPURTENANT STRUCTURE	OUVRAGE ANNEXE
APRON	RADIER
ARCH	ARC
ARCH DAM	BARRAGE-VOUTE
ARCH GRAVITY DAM	BARRAGE-POIDS VOUTE
ARCHITECTURE	ARCHITECTURE
ARID CLIMATE	CLIMAT ARIDE
ARTESIAN	ARTESIEN
ASPHALT	BITUME
ASPHALTIC CONCRETE	BETON BITUMINEUX
AUTOMATED MONITORING	AUSCULTATION AUTOMATIQUE
BACKWATER CURVE	COURBE DE REMOUS
BASE	BASE
BASSIN	BASSIN
BEHAVIOUR	COMPORTEMENT
BENEFIT OF DAMS	BIENFAIT DES BARRAGES
BIOLOGICAL EFFECT	EFFET BIOLOGIQUE
BIOLOGICAL PROPERTY	CARACTERISTIQUE BIOLOGIQUE
BITUMINOUS MASTIC	MASTIC BITUMINEUX
BLOCK	PLOT

BODY OF DAM	CORPS DU BARRAGE
BORING	FORAGE
BORROW	EMPRUNT
BOTTOM OUTLET	VIDANGE DE FOND
BULKHEAD GATE	VANNE BATARDEAU
BUTTRESS	CONTREFORT
BUTTRESS DAM	BARRAGE A CONTREFORTS
CAISSON	CAISSON
CALCULATION METHOD	METHODE DE CALCUL
CANAL	CANAL
CANTILEVER	CONSOLE
CAVITATION	CAVITATION
CEMENT	CIMENT
CHEMICAL GROUTING	INJECTION CHIMIQUE
CHUTE	COURSIER
CLEAN ENERGY	ENERGIE PROPRE
CLIMATE	CLIMAT
CLINKER	CLINKER
CLINOMETER	CLINOMETRE
COFFERDAM	BATARDEAU
COFFERDAM ENCLOSURE	ENCEINTE BATARDEE
COHESION	COHESION
COLD CLIMATE	CLIMAT FROID
COLD JOINT	JOINT SEC
COMBINED STRUCTURE	OUVRAGE INCORPORE AU BARRAGE
COMPACTION	COMPACTAGE
COMPENSATION	INDEMNITE
COMPENSATION WATER	DEBIT RESERVE
COMPOSITE DAM	BARRAGE COMPOSITE
COMPRESSED AIR	AIR COMPRIME
COMPRESSIBLE SOIL	SOL COMPRESSIBLE
COMPRESSION	COMPRESSION
COMPRESSIVE STRENGTH	RESISTANCE A LA COMPRESSION
COMPRESSIVE STRESS	CONTRAINTE DE COMPRESSION
COMPUTER CALCULATION	CALCUL PAR ORDINATEUR
CONCEPTION	CONCEPTION
CONCRETE	BETON
CONCRETE DAM	BARRAGE EN BETON
CONCRETE MIX	COMPOSITION DU BETON
CONDUIT	CONDUITE
CONSTRUCTION	CONSTRUCTION
CONSTRUCTION FLOOD	CRUE DE CHANTIER
CONSTRUCTION JOINT	JOINT DE CONSTRUCTION

CONSTRUCTION METHOD	METHODE DE CONSTRUCTION
CONSTRUCTION PHASE	PHASE DE CONSTRUCTION
CONSTRUCTION PLAN	INSTALLATION DE CHANTIER
CONSTRUCTION PLANT	INSTALLATION DE CHANTIER
CONSTRUCTION PROGRAM	PROGRAMME DES TRAVAUX
CONSTRUCTION PROGRAMME	PROGRAMME DES TRAVAUX
CONTRACTION JOINT	JOINT DE CONTRACTION
CONTROL	CONTROLE
CONTROL METHOD	METHODE DE CONTRÔLE
CONTROLLED INLET	ENTONNEMENT CONTROLE
CONTROLLED RELEASE FACILITY	ORGANE D'EVACUATION CONTRÔLE
COOLING	REFROIDISSEMENT
CORE	NOYAU
CORE WALL	ECRAN INTERNE
CORE WALL DAM	BARRAGE A ECRAN INTERNE
COST	COUT
COST / BENEFIT ANALYSIS	CALCUL COUT/BENEFICE
COST REDUCTION	REDUCTION DES COUTS
COST/BENEFIT ANALYSIS	ANALYSE COUTS/BENEFICE
CRACKING	FISSURATION
CREEP	FLUAGE
CREST	COURONNEMENT
CROWN	CLE
CURING COMPOUND	PRODUIT DE CURE
CUTOFF	PARAFOUILLE
CUTOFF WALL	MUR PARAFOUILLE
DAM	BARRAGE
DAM FAILURE	RUPTURE DE BARRAGE
DAM OPERATION	EXPLOITATION
DAMAGE	DEGAT
DEAD STORAGE	RESERVE MORTE
DEFORMATION	DEFORMATION
DEFORMATION MEASUREMENT	MESURE DE DEFORMATION
DENSITY	DENSITE
DENSITY CURRENT	COURANT DE DENSITE
DESIGN	CALCUL
DESIGN	CONCEPTION
DESIGN FLOOD	CRUE DE PROJET
DESITY CURRENT	COURANT DE DENSITE
DEWATERING	VIDANGE
DIAPHRAGM WALL	PAROI MOULEE
DISCHARGE	DEBIT
DISCHARGE REGULATION	REGULARISATION DES DEBITS



DISEASE CARRIER	VECTEUR DE MALADIE
DISSOLVED GAS	GAZ DISSOUS
DISSOLVED MATERIAL	MATIERE EN SOLUTION
DIVERSION WORK	OUVRAGE DE DERIVATION
DOWNSTREAM FACE	PAREMENT AVAL
DOWNSTREAM FILL	MASSIF AVAL
DOWNSTREAM SHOULDER	RECHARGE AVAL
DOWNSTREAM SHELL	RECHARGE AVAL
DRAINAGE	DRAINAGE
DRAINAGE BLANKET	TAPIS DRAINANT
DRAINAGE CHANNEL	CANAL DE DRAINAGE
DRAINAGE GALLERY	GALERIE DE DRAINAGE
DRAINAGE HOLE	TROU DE DRAINAGE
DRAINAGE WELL	PUITS DE DECOMPRESSION
DRAWDOWN FOR INSPECTION	VIDANGE POUR VISITE
DUMPED FILL	REMBLAI DEVERSE
DYNAMIC MONITORING	AUSCULTATION DYNAMIQUE
EARTH	TERRE
EARTH PRESSURE	POUSSEE DES TERRES
EARTHFILL DAM	BARRAGE EN TERRE
ECOLOGY	ECOLOGIE
ECONOMIC EFFECT	EFFET ECONOMIQUE
ECONOMIC STUDY	ETUDE ECONOMIQUE
ECONOMICS	ECONOMIE
EFFECTIVE STRESS	CONTRAINTE EFFECTIVE
EFFECT OF DAMS ON ENVIRONMENT	EFFET DES BARRAGES SUR L'ENVIRONNEMENT
ELASTICITY	ELASTICITE
ELECTROOSMOSIS	ELECTROOSMOSE
EMBANKMENT	REMBLAI DEVERSE
EMBANKMENT DAM	BARRAGE EN REMBLAI
EMERGENCY PLANNING	PLAN D'ALERTE ET DE SECOURS
EMERGENCY PLAN	PLAN D'ALERTE ET DE SECOURS
EMERGENCY SITUATION	SITUATION CRITIQUE
EMERGENCY SPILLWAY	EVACUATEUR DE SECOURS
ENERGY DISSIPATOR	BRISECHARGE
ENERGY DISSIPATOR	DISSIPATEUR D'ENERGIE
EROSION	EROSION
ESTUARY DAM	BARRAGE D'ESTUAIRE
EUTROPHICATION	EUTROPHISATION
EVAPORATION	EVAPORATION
EXCAVATION	FOUILLE
EXPANSION JOINT	JOINT DE DILATATION
EXTENSIBILITY	EXTENSIBILITE

EXTENSOMETER	EXTENSOMETRE
FAILURE	RUPTURE
FAULT	FAILLE
FIELD TEST	ESSAI EN PLACE
FILL	REMBLAI
FILL DAM	BARRAGE EN REMBLAI
FILTER MATERIAL	MATERIAU POUR FILTRE
FINANCIAL STUDY	ETUDE FINANCIERE
FINANCING	FINANCEMENT
FINITE DIFFERENCE	METHODE DES DIFFERENCES FINIES
FINITE ELEMENTS METHOD	METHODE DES ELEMENTS FINIS
FINITE VOLUME METHOD	METHODE DES VOLUMES FINIS
FISH	POISSON
FISH PASS	PASSE A POISSONS
FISSURED ROCK	ROCHER FRACTURE
FLIP BUCKET	CUILLERE DE DISIPATION
FLOATING DEBRIS	CORPS FLOTTANT
FLOATING DEBRIS PASS	EVACUATEUR DES CORPS FLOTTANTS
FLOOD	CRUE
FLOOD CONTROL	MAITRISE DES CRUES
FLOOD DISCHARGE HYDROMETEOROLOGICAL METHOD	CRUE METHODE HYDROMETEOROLOGIQUE
FLOOD DISCHARGE STATISTICAL	CRUE METHODE STATISTIQUE
FLOOD DISCHARGE STATISTICAL METHOD	CRUE METHODE STATISTIQUE
FLOOD DISCHARGE THEORETICAL METHOD	CRUE FORMULE THEORIQUE
FLOOD DISCHARGE UNIT HYDROGRAPH	CRUE HYDROGRAMME UNITAIRE
FLOOD DIVERSION	DERIVATION DES CRUES
FLOOD FLATTENING	ECRETEMENT
FLOOD FORECASTING	PREVISION DES CRUES
FLOOD GATE OPERATING INSTRUCTION	CONSIGNE D'EVACUATION DES CRUES
FLOOD STORAGE	RESERVE DE CRUE
FLOOD WARNING	ANNONCE DES CRUES
FLOODABLE CONSTRUCTION SITE	CHANTIER SUBMERSIBLE
FLOODING	INONDATION
FLOW	DEBIT
FLOW NET	RESEAU D'ECOULEMENT
FLY ASH	CENDRE VOLANTE
FOOTING	SEMELLE
FORMWORK	COFFRAGE
FOUNDATION	FONDATION
FOUNDATION TREATMENT	TRAITEMENT DES FONDATIONS
FRACTURING	FRACTURATION
FRAZIL ICE	FRASIL

FREE INLET	ENTONNEMENT LIBRE
MORNING GLORY	TULIPE
FREE NAPPE	SURFACE LIBRE
FREE SURFACE FLOW	ECOULEMENT A SURFACE LIBRE
FREEBORD	REVANCHE
FREEZING	CONGELATION
FREQUENCY	FREQUENCE
FREQUENCY OF INSPECTIONS	FREQUENCE DES VISITES
FREQUENCY OF MEASUREMENTS	FREQUENCE DES MESURES
FROST ACTION	GELIVITE
FUSE PLUG	HAUSSE FUSIBLE
FUSE PLUG SPILLWAY	EVACUATEUR A HAUSSES FUSIBLES
GATE	VANNE
GATED DAM	BARRAGE VANNE
GATED SPILLWAY	EVACUATEUR AVEC VANNES
GATED STRUCTURE DAM	BARRAGE MOBILE
GAUGE	CAPTEUR
GEOLOGICAL INVESTIGATION	GEOLOGIE
GEOLOGY	GEOLOGIE
GEOPHYSICAL INVESTIGATION	GEOPHYSIQUE
GEOTECHNICAL INVESTIGATION	GEOTECHNIQUE
GEOTEXTILE	GEOTEXTILE
GLOBAL POSITIONING SYSTEM	GPS
GRAIN SIZE DISTRIBUTION	GRANULOMETRIE
GRAVITY DAM	BARRAGE-POIDS
GROUNDWATER	EAU SOUTERRAINE
GROUNDWATER FLOW	DEBIT DE LA NAPPE PHREATIQUE
GROUT CURTAIN	ECRAN D'INJECTION
GROUTING	INJECTION
GROUTING GALLERY	GALERIE D'INJECTION
HEADRACE	OUVRAGE D'AMENEE
HEIGHT OF LIFTS	HAUTEUR DES LEVEES
HEIGHTENING	SURELEVATION
HOLLOW GRAVITY DAM	BARRAGE-POIDS EVIDE
HOMOGENEOUS EARTHFILL DAM	BARRAGE HOMOGENE EN TERRE
HUMID CLIMATE	CLIMAT HUMIDE
HYDRAULIC FILL	REMLAI HYDRAULIQUE
HYDRAULIC FRACTURING	FRACTURATION HYDRAULIQUE
HYDRAULIC HEAD	CHARGE HYDRAULIQUE
HYDRAULIC MODEL	MODELE HYDRAULIQUE
HYDRAULIC MODEL TEST	ESSAI SUR MODELE HYDRAULIQUE
HYDROGEOLOGY	HYDROGEOLOGIE
HYDROLOGY	HYDROLOGIE

HYDROMECHANICAL EQUIPMENT	MATERIEL HYDROMECHANIQUE
ICE	GLACE
ICE JAM	EMBLACE
ICE PASS	EVACUATEUR DES GLACES
ICE PRESSURE	POUSSEE DES GLACES
IMPERVIOUS ASPHALTIC CONCRETE	BETON BITUMINEUX ETANCHE
IMPERVIOUS BLANKET	TAPIS ETANCHE
IMPERVIOUS CORE DAM	BARRAGE A NOYAU
IMPERVIOUS GROUND	TERRAIN ETANCHE
IMPERVIOUS MATERIAL	MATERIAU ETANCHE
INCIDENT DETECTION	DETECTION DES INCIDENTS
INDUCED SEISMICITY	SEISME INDUIT
INDUSTRIAL WASTE DAM	REMBLAI DE STERILE MINIER
INDUSTRY	INDUSTRIE
INSECT	INSECTE
INSPECTION	VISITE
INSPECTION GALLERY	GALERIE DE VISITE
INSURANCE	ASSURANCE
INTAKE	PRISE D'EAU
INTAKE TOWER	TOUR DE PRISE
INTERNAL DEFORMATION	DEFORMATION INTERNE
INTERNAL EROSION	ERSION INTERNE
INTERNAL FRICTION	FROTTEMENT INTERNE
IRRIGATION	IRRIGATION
ISOLATION JOINT	JOINT D'ISOLATION
JOINT GROUTING	CLAVAGE DES JOINTS
KARST	KARST
LABORATORY TEST	ESSAI DE LABORATOIRE
LAND RECLAMATION	MISE EN VALEUR DES TERRES
LANDSCAPE	PAYSAGE
LANDSLIDE	GLISSEMENT DE TERRAIN
LEAKAGE	FUITE
LIFT JOINT	JOINT DE REPRISE
LIFT JOINT	REPRISE
LINING	REVETEMENT
LIQUEFACTION	LIQUEFACTION
LOAD HYPOTHESIS	HYPOTHESE DE CHARGE
LOCK	ECLUSE
LOG CHUTE	PASSE A BOIS
LOOSE SOIL	SOL MEUBLE
MAIN SPILLWAY	EVACUATEUR PRINCIPAL
MAINTENANCE	ENTRETIEN
MASONRY	MAÇONNERIE

## ANNEX D\_ANNEXE D

MASSIVE ROCK	ROCHER COMPACT
MATERIAL TESTING	CONTROLE DES MATERIAUX
MATERIAL	MATERIAU
MATERIALS TESTING	CONTROLE DES MATERIAUX
MATHEMATICAL MODEL	MODELE MATHEMATIQUE
METAL	METAL
MICROORGANISM	MICROORGANISME
MODEL	MODELE
MODIFICATION OF CLIMATE	MODIFICATION DU CLIMAT
MONITORING	AUSCULTATION
MUD SILTING	ENVASEMENT
MULTIPLE ARCH DAM	BARRAGEA VOUTES MULTIPLES
MULTIPLE LAYER ASPHALTIC FACING	MULTICOUCHE BITUMINEUX
NAVIGATION	NAVIGATION
NUMERICAL MODEL	MODELE NUMERIQUE
ONE LAYER ASPHALTIC FACING	MONOCOUCHE BITUMINEUX
OPEN CHANNEL	CANAL A ECOULEMENT LIBRE
OPEN CHANNEL	CIEL OUVERT
OPERATION	EXPLOITATION
OPERATION INSTRUCTION	CONSIGNE D'EXPLOITATION
OTHER CALCULATION METHOD	FORMULE DIVERSE DE CALCUL
OUTLET DISCHARGE	DEBIT DE RESTITUTION
OUTLET STRUCTURE	OUVRAGE DE RESTITUTION DES DEBITS
OVERFLOW DAM	BARRAGE DEVERSOIR
OVERTOPPING	DEVERSEMENT SUR LE BARRAGE
OVERTOPPING	SUBMERSION
PENDULUM	PENDULE
PENSTOCK	CONDUITE FORCEE
PERFORMANCE	PERFORMANCE
PERMEABILITY	PERMEABILITE
PERVIOUS ASPHALTIC CONCRETE	BETON BITUMINEUX OUVERT
PERVIOUS GROUND	TERRAIN PERMEABLE
PERVIOUS MATERIAL	MATERIAU PERMEABLE
PHOTOELASTICITY	PHOTOELASTICITE
PHREATIC SURFACE	NAPPE PHREATIQUE
PHYSICAL MODEL	MODELE PHYSIQUE
PIER	PILE
PIEZOMETER	PIEZOMETRE
PILE	PIEU
PIPING	RENARD
PLACING OF CONCRETE	MISE EN PLACE DU BETON
PLACING OF FILL	MISE EN PLACE DU REMBLAI
PLASTICITY	PLASTICITE

PLASTICIZING ADMIXTURE	PLASTIFIANT
PLUNGE POOL	BASSIN D'AMORTISSEMENT
POPULATED AREA	ZONE HABITEE
POPULATION DISPLACEMENT	DEPLACEMENT DE POPULATION
PORE PRESSURE	PRESSION INTERSTITIELLE
POROSITY	POROSITE
POWER PLANT	CENTRALE
POWER STATION	CENTRALE
POWER SUPPLY	PRODUCTION D'ENERGIE
POZZOLAN	POUZZOLANE
PREFABRICATION	PREFABRICATION
PRESSURE SPILLWAY	EVACUATEUR EN CHARGE
PRESTRESSING	PRECONTRAINTE
PROTECTIVE APRON	TAPIS DE PROTECTION
PROTECTIVE MEASURE	MESURE DE PROTECTION
PUMPTEST	ESSAI DE POMPAGE
QUALITY CONTROL	CONTROLE DE QUALITE
QUARRY	CARRIERE
RADIAL GATE	VANNE SEGMENT
REDUCTION OF FLOOD RISK DOWNSTREAM	ECRETEMENT
REGULATION	REGLEMENTATION
REHABILITATION	REHABILITATION
REINFORCED EARTH	TERRE ARMEE
REINFORCEMENT	ARMATURE
RELIEF WELL	PUITS DE DECOMPRESSION
REPAIR	REPARATION
RESERVOIR	RETENUE
RESERVOIR CAPACITY	RESERVE TOTALE
RESERVOIR OPERATION	EXPLOITATION DU RESERVOIR
RESERVOIR SLOPE	VERSANT DE RETENUE
RESERVOIR WATERTIGHTNESS	ETANCHEITE DE LA CUVETTE
RESETTLEMENT	DEPLACEMENT DE POPULATION
RESISTANCE	RESISTANCE
RESPONSE SPECTRUM	SPECTRE DE REPONSE
RETAINING WALL	MUR DE SOUTENEMENT
RETARDING AGENT	RETARDATEUR DE PRISE
RISK ANALYSIS	ANALYSE DE RISQUE
RISK ANALYSIS	CALCUL DU RISQUE
RISK ASSESSMENT	ANALYSE DE RISQUE
RIVER BED DEGRADATION	EROSION DU LIT DE LA RIVIERE
RIVER BED EROSION	AFFOUILLEMENT
RIVER CLOSURE	COUPURE DE RIVIERE
RIVER DIVERSION	DERIVATION DE LA RIVIERE

ROAD RAILWAY DIVERSION	RETABLISSEMENT DES VOIES DE COMMUN.
ROCK MECHANICS	MECANIQUE DES ROCHES
ROCKFILL	ENROCHEMENT
ROCKFILL DAM	BARRAGE EN ENROCHEMENT
ROLLED CONCRETE	BETON COMPACTE AU ROULEAU
ROLLER COMPACTED CONCRETE	BETON COMPACTE AU ROULEAU
RUNOFF	RUISSELLEMENT
SAFETY	SECURITE
SAFETY FACTOR	COEFFICIENT DE SECURITE
SAFETY OF DAMS	SECURITE DES BARRAGES
SATURATION	SATURATION
SATURATION SURFACE	SURFACE DE SATURATION
SCOUR PROTECTION	TAPIS DE RECEPTION
SCOURING	AFFOUILLEMENT
SEALING WORK	OUVRAGE D'ETANCHEITE
SEDIMENTATION	ALLUVIONNEMENT
SEEPAGE	INFILTRATION
SEISMIC HAZARD	ALEA SISMIQUE
SEISMIC RESISTANCE	RESISTANCE AU SEISME
SEISMICITY	SEISMICITE
SELECTION OF DAM TYPE	CHOIX DU TYPE DE BARRAGE
SEPARATED STRUCTURE	OUVRAGE SEPRE DU BARRAGE
SETTLEMENT	TASSEMENT
SETTLEMENT GAUGE	JAUGE DE TASSEMENT
SHAFT	PUITS
SHEAR	CISAILLEMENT
SHEAR STRENGTH	RESISTANCE AU CISAILLEMENT
SHEAR STRESS	CONTRAINTE DE CISAILLEMENT
SHEET PILING	PALPLANCHE
SHOTCRETE	BETON PROJETE
SHRINKAGE	RETRAIT
SIDE SPILLWAY	EVACUATEUR LATERAL
SILICA FUME	FUMEE DE SILICE
SILL	SEUIL
SILT PRESSURE	PRESSION DUE AUX LIMONS
SILTATION	ALLUVIONNEMENT
SILTING	ALLUVIONNEMENT
SINKHOLE	TROU D'AFFAISSEMENT
SHEET PILING	PALPLANCHE
SHOTCRETE	BETON PROJETE
SIPHON	SIPHON
SIPHON SPILLWAY	EVACUATEUR EN SIPHON
SITE INSTALLATION	ORGANISATION DES TRAVAUX

SKI JUMP	SAUT DE SKI
SLAB	DALLE
SLAG	LAITIER
SLIP SURFACE	SURFACE DE GLISSEMENT
SLOPE PROTECTION	PROTECTION DES TALUS
SLOPE STABILITY	STABILITE DE VERSANT
SLURRY TRENCH	PAROI EXCAVEE
SOCIAL EFFECT	EFFET SOCIAL
SOIL	SOL
SOIL IDENTIFICATION	IDENTIFICATION DES SOLS
SOIL INVESTIGATION	RECONNAISSANCE DU SOL
SOIL MECHANICS	MECANIQUE DES SOLS
SOUNDING	SONDAGE
SPECIFICATION	SPECIFICATION
SPILLWAY	EVACUATEUR DE CRUE
SPRINGING	NAISSANCE DE L'ARC
STABILITY	STABILITE
STAGED CONSTRUCTION	CONSTRUCTION PAR ETAPES
STATEMENT OF ORIGINAL CONDITIONS	CONSTATATION DE L'ETAT NATUREL
STATISTICAL METHOD	METHODE STATISTIQUE
STILLING BASIN	BASSIN D'AMORTISSEMENT
STOCHASTICAL METHOD	METHODE STOCHASTIQUE
STOPLOG	BATARDEAU
STRAIN	DEFORMATION RELATIVE
STRAIN GAUGE	JAUGE DE CONTRAINTE
STRENGTH	FORCE
STRENGTHENING	RENFORCEMENT
STRESS	CONTRAINTE
STRUCTURAL MODEL	ESSAI MECANIQUE SUR MAQUETTE
SUPPORTED EXCAVATION	FOUILLE BLINDEE
SUPPORTING	SOUTENEMENT
SURFACE SPILLWAY	EVACUATEUR DE SURFACE
SUSPENDED MATTER	MATIERE EN SUSPENSION
SWELLING	GONFLEMENT
SYNTHETIC MATERIAL	MATERIAU SYNTHETIQUE
TAILINGS DAM	BARRAGE DE STERILES
TAILRACE	OUVRAGE DE FUITE
TELEMETERING SYSTEM	TELEMESURE
TEMPERATURE	TEMPERATURE
TEMPERATURE MEASUREMENT	MESURE DE TEMPERATURE
TEMPORARY DIVERSION	DERIVATION PROVISOIRE
TEMPORARY OPENING	PERTUIS PROVISOIRE
TEMPORARY WORK	OUVRAGE PROVISOIRE



TENSILE STRENGTH	RESISTANCE A LA TRACTION
TENSILE STRESS	CONTRAINTE DE TRACTION
TENSION	EXTENSION
THERMAL EXPANSION	DILATATION THERMIQUE
THIRD PARTY CLAIM	CONTENTIEUX
THIRD PARTY RISK	RISQUE DES TIERS
THREEDIMENSIONAL	TRIDIMENSIONNEL
TOPOGRAPHY	TOPOGRAPHIE
TOTAL PRESSURE	PRESSION TOTALE
TOURISM	TOURISME
TRADE	COMMERCE
TRANSITION ZONE	ZONE DE TRANSITION
TRASH RACK	GRILLE
TRIAL LOAD METHOD	TRIAL LOAD
TUNNEL	GALERIE
TUNNEL	SOUTERRAIN
TWO LAYER ASPHALTIC FACING	BICOUCHE BITUMINEUX
UNCONTROLLED SPILLWAY	EVACUATEUR SANS VANNES
UNDERWATER EXCAVATING	FOUILLE DANS L'EAU
UNDERWATER INSPECTION	INSPECTION SUBAQUATIQUE
UNDERWATER PLACING	MISE EN PLACE SOUS L'EAU
UNIT HYDROGRAPH	HYDROGRAMME UNITAIRE
UPLIFT	SOUS-PRESSION
UPSTREAM BLANKET	TAPIS AMONT
UPSTREAM BLANKET	TAPIS D'ETANCHEITE
UPSTREAM DAM	BARRAGE AMONT
UPSTREAM FACE	PAREMENT AMONT
UPSTREAM FACING	MASQUE AMONT
UPSTREAM FACING DAM	BARRAGE A MASQUE AMONT
UPSTREAM FILL	MASSIF AMONT
UPSTREAM MEMBRANE	MASQUE AMONT SOUPLE
UPSTREAM MEMBRANE DAM	BARRAGE A ETANCHEITE AMONT SOUPLE
UPSTREAM SHELL	RECHARGE AMONT
UPSTREAM SHOULDER	RECHARGE AMONT
UPSTREAM TOE	PIED AMONT
VEGETATION	VEGETATION
VIBRATED CONCRETE	BETON VIBRE
VIBRATION	VIBRATION
WATER CONTENT	TENEUR EN EAU
WATER LEVEL	NIVEAU HYDRAULIQUE
WATER QUALITY	QUALITE DE L'EAU
WATER SUPPLY	ADDUCTION D'EAU
WATERSTOP	WATERSTOP

WATERTIGHTNESS	ETANCHEITE
WAVE	VAGUE
WEAR	USURE
WEATHERED ROCK	ROCHER ALTERE
WEIGHT	POIDS PROPRE
WING	AILE
ZONED DAM	BARRAGE ZONES
ZONED DAM	BARRAGE A ZONES

<b>MOTS-CLES</b>	
<b>FRANÇAIS</b>	<b>ANGLAIS</b>
APPUI	ABUTMENT
ACCELERATEUR DE PRISE	ACCELERATING AGENT
ACCELERATION	ACCELERATION
ADDUCTION D'EAU	WATER SUPPLY
AERATION	AERATION
AFFOUILLEMENT	RIVER BED EROSION
AFFOUILLEMENT	SCOURING
AGRESSIVITE DE L'EAU	AGGRESSIVE WATER
AGRICULTURE	AGRICULTURE
AILE	WING
AIR COMPRISE	COMPRESSED AIR
ALCALI REACTION	ALKALIAGGREGATE REACTION
ALEA SISMIQUE	SEISMIC HAZARD
ALGUE	ALGAE
ALLUVIONNEMENT	SEDIMENTATION
ALLUVIONNEMENT	SILTATION
ALLUVIONNEMENT	SILTING
ALTERATION	ALTERATION
ANALYSE COUTS/BENEFICE	COST/BENEFIT ANALYSIS
ANALYSE DE RISQUE	RISK ANALYSIS
ANALYSE DE RISQUE	RISK ASSESSMENT
ANCRAGE	ANCHORAGE
ANIMAL	ANIMAL
ANNONCE DES CRUES	FLOOD WARNING
ARC	ARCH
ARCHITECTURE	ARCHITECTURE
ARMATURE	REINFORCEMENT
ARTESIEN	ARTESIAN
ASSURANCE	INSURANCE
AUSCULTATION	MONITORING
AUSCULTATION AUTOMATIQUE	AUTOMATED MONITORING
AUSCULTATION DYNAMIQUE	DYNAMIC MONITORING
BARRAGE	DAM
BARRAGE A CONTREFORTS	BUTTRESS DAM
BARRAGE A ECRAN INTERNE	CORE WALL DAM
BARRAGE A ETANCHEITE AMONT SOUPLE	UPSTREAM MEMBRANE DAM
BARRAGE A MASQUE AMONT	UPSTREAM FACING DAM
BARRAGE A NOYAU	IMPERVIOUS CORE DAM
BARRAGE A ZONES	ZONED DAM
BARRAGE AMONT	UPSTREAM DAM

BARRAGE COMPOSITE	COMPOSITE DAM
BARRAGE DE STERILES	TAILINGS DAM
BARRAGE D'ESTUAIRE	ESTUARY DAM
BARRAGE DEVERSOIR OVERFLOW DAM	BARRAGE DEVERSOIR OVERFLOW DAM
BARRAGE EN BETON	CONCRETE DAM
BARRAGE EN ENROCHEMENT	ROCKFILL DAM
BARRAGE EN REMBLAI	EMBANKMENT DAM
BARRAGE EN REMBLAI	FILL
DAM BARRAGE EN TERRE	EARTHFILL DAM
BARRAGE HOMOGENE EN TERRE	HOMOGENEOUS EARTHFILL DAM
BARRAGE MOBILE	GATED STRUCTURE DAM
BARRAGE VANNE	GATED DAM
BARRAGE ZONES	ZONED DAM
BARRAGEA VOUTES MULTIPLES	MULTIPLE ARCH DAM
BARRAGE-POIDS	GRAVITY DAM
BARRAGE-POIDS EVIDE	HOLLOW GRAVITY DAM
BARRAGE-POIDS VOUTE	ARCH GRAVITY DAM
BARRAGE-VOUTE	ARCH DAM
BASE	BASE
BASSIN	BASSIN
BASSIN D'AMORTISSEMENT	PLUNGE POOL
BASSIN D'AMORTISSEMENT	STILLING BASIN
BATARDEAU	COFFERDAM
BATARDEAU	STOPLOG
BETON	CONCRETE
BETON BITUMINEUX	ASPHALTIC CONCRETE
BETON BITUMINEUX ETANCHE	IMPERVIOUS ASPHALTIC CONCRETE
BETON BITUMINEUX OUVERT	PERVIOUS ASPHALTIC CONCRETE
BETON COMPACTE AU ROULEAU	ROLLED CONCRETE
BETON COMPACTE AU ROULEAU	ROLLER COMPACTED CONCRETE
BETON PROJETE	SHOTCRETE
BETON VIBRE	VIBRATED CONCRETE
BICOUCHE BITUMINEUX	TWO LAYER ASPHALTIC FACING
BIENFAIT DES BARRAGES	BENEFIT OF DAMS
BITUME	ASPHALT
BRISECHARGE	ENERGY DISSIPATOR
CAISSON	CAISSON
CALCUL	ANALYSIS
CALCUL	DESIGN
CALCUL COUT/BENEFICE	COST / BENEFIT ANALYSIS
CALCUL DU RISQUE	RISK ANALYSIS
CALCUL PAR ORDINATEUR	COMPUTER CALCULATION
CANAL	CANAL

CANAL A ECOULEMENT LIBRE	OPEN CHANNEL
CANAL DE DRAINAGE	DRAINAGE CHANNEL
CAPTEUR	GAUGE
CARACTERISTIQUE BIOLOGIQUE	BIOLOGICAL PROPERTY
CARRIERE	QUARRY
CAVITATION	CAVITATION
CENDRE VOLANTE	FLY ASH
CENTRALE	POWER PLANT
CENTRALE	POWER STATION
CHANTIER SUBMERSIBLE	FLOODABLE CONSTRUCTION SITE
CHARGE HYDRAULIQUE	HYDRAULIC HEAD
CHOIX DU TYPE DE BARRAGE	SELECTION OF DAM TYPE
CIEL OUVERT	OPEN CHANNEL
CIMENT	CEMENT
CISAILLEMENT	SHEAR
CLAVAGE DES JOINTS	JOINT GROUTING
CLE	CROWN
CLIMAT	CLIMATE
CLIMAT ARIDE	ARID CLIMATE
CLIMAT FROID	COLD CLIMATE
CLIMAT HUMIDE	HUMID CLIMATE
CLINKER	CLINKER
CLINOMETRE	CLINOMETER
COEFFICIENT DE SECURITE	SAFETY FACTOR
COFFRAGE	FORMWORK
COHESION	COHESION
COMMERCE	TRADE
COMPACTAGE	COMPACTION
COMPORTEMENT	BEHAVIOUR
COMPOSITION DU BETON	CONCRETE MIX
COMPRESSION	COMPRESSION
CONCEPTION	CONCEPTION
CONCEPTION	DESIGN
CONDUITE	CONDUIT
CONDUITE FORCEE	PENSTOCK
CONGELATION	FREEZING
CONSIGNE D'EVACUATION DES CRUES	FLOOD GATE OPERATING INSTRUCTION
CONSIGNE D'EXPLOITATION	OPERATION INSTRUCTION
CONSOLE	CANTILEVER
CONSTATATION DE L'ETAT NATUREL	STATEMENT OF ORIGINAL CONDITIONS
CONSTRUCTION	CONSTRUCTION
CONSTRUCTION PAR ETAPES	STAGED CONSTRUCTION
CONTENTIEUX	THIRD PARTY CLAIM

CONTRAINTE	STRESS
CONTRAINTE DE CISAILLEMENT	SHEAR STRESS
CONTRAINTE DE COMPRESSION	COMPRESSIVE STRESS
CONTRAINTE DE TRACTION	TENSILE STRESS
CONTRAINTE EFFECTIVE	EFFECTIVE STRESS
CONTREFORT	BUTTRESS
CONTROLE	CONTROL
CONTROLE DE QUALITE	QUALITY CONTROL
CONTROLE DES MATERIAUX	MATERIAL TESTING
CONTROLE DES MATERIAUX	MATERIALS TESTING
CORPS DU BARRAGE	BODY OF DAM
CORPS FLOTTANT	FLOATING DEBRIS
COUPURE DE RIVIERE	RIVER CLOSURE
COURANT DE DENSITE	DENSITY CURRENT
COURANT DE DENSITE	DESITY CURRENT
COURBE DE REMOUS	BACKWATER CURVE
COURONNEMENT	CREST
COURSIER	CHUTE
COUT	COST
CRUE	FLOOD
CRUE DE CHANTIER	CONSTRUCTION FLOOD
CRUE DE PROJET	DESIGN FLOOD
CRUE FORMULE THEORIQUE	FLOOD DISCHARGE THEORETICAL METHOD
CRUE HYDROGRAMME UNITAIRE	FLOOD DISCHARGE UNIT HYDROGRAPH
CRUE METHODE HYDROMETEOROLOGIQUE	FLOOD DISCHARGE HYDROMETEOROLOGICAL METHOD
CRUE METHODE STATISTIQUE	FLOOD DISCHARGE STATISTICAL
CRUE METHODE STATISTIQUE	FLOOD DISCHARGE STATISTICAL METHOD
CUILLERE DE DISIPATION	FLIP BUCKET
CULEE	ABUTMENT BLOCK
DALLE	SLAB
DEBIT	DISCHARGE
DEBIT	FLOW
DEBIT DE LA NAPPE PHREATIQUE	GROUNDWATER FLOW
DEBIT DE RESTITUTION	OUTLET DISCHARGE
DEBIT RESERVE	COMPENSATION WATER
DEFORMATION	DEFORMATION
DEFORMATION INTERNE	INTERNAL DEFORMATION
DEFORMATION RELATIVE	STRAIN
DEGAT	DAMAGE
DENSITE	DENSITY
DEPLACEMENT DE POPULATION	POPULATION DISPLACEMENT
DEPLACEMENT DE POPULATION	RESETTLEMENT

DERIVATION DE LA RIVIERE	RIVER DIVERSION
DERIVATION DES CRUES	FLOOD DIVERSION
DERIVATION PROVISOIRE	TEMPORARY DIVERSION
DETECTION DES INCIDENTS	INCIDENT DETECTION
DEVERSEMENT SUR LE BARRAGE	OVERTOPPING
DILATATION THERMIQUE	THERMAL EXPANSION
DISSIPATEUR D'ENERGIE	ENERGY DISSIPATOR
DRAINAGE	DRAINAGE
EAU SOUTERRAINE	GROUNDWATER
ECLUSE	LOCK
ECOLOGIE	ECOLOGY
ECONOMIE	ECONOMICS
ECOULEMENT A SURFACE LIBRE	FREE SURFACE FLOW
ECRAN D'INJECTION	GROUT CURTAIN
ECRAN INTERNE	CORE WALL
ECRETEMENT	FLOOD FLATTENING
ECRETEMENT	REDUCTION OF FLOOD RISK DOWNSTREAM
EFFET BIOLOGIQUE	BIOLOGICAL EFFECT
EFFET DES BARRAGES SUR L'ENVIRONNEMENT	EFFECT OF DAMS ON ENVIRONMENT
EFFET ECONOMIQUE	ECONOMIC EFFECT
EFFET ESTHETIQUE	AESTHETIC EFFECT
EFFET SOCIAL	SOCIAL EFFECT
ELASTICITE	ELASTICITY
ELECTROOSMOSE	ELECTROOSMOSIS
EMBLACE	ICE JAM
EMPRUNT	BORROW
ENCEINTE BATARDEE	COFFERDAM ENCLOSURE
ENERGIE PROPRE	CLEAN ENERGY
ENROCHEMENT	ROCKFILL
ENTONNEMENT CONTROLE	CONTROLLED INLET
ENTONNEMENT LIBRE	FREE INLET
ENTRAINEUR D'AIR	AIR ENTRAINING AGENT
ENTRETIEN	MAINTENANCE
ENVASEMENT	MUD SILTING
EROSION	EROSION
EROSION DU LIT DE LA RIVIERE	RIVER BED DEGRADATION
EROSION INTERNE	INTERNAL EROSION
ESSAI DE LABORATOIRE	LABORATORY TEST
ESSAI DE POMPAGE	PUMPTEST
ESSAI EN PLACE	FIELD TEST
ESSAI MECANIQUE SUR MAQUETTE	STRUCTURAL MODEL
ESSAI SUR MODELE HYDRAULIQUE	HYDRAULIC MODEL TEST
ETANCHEITE	WATERTIGHTNESS

ETANCHEITE DE LA CUVETTE	RESERVOIR WATERTIGHTNESS
ETUDE ANALOGIQUE	ANALOGUE STUDY
ETUDE ECONOMIQUE	ECONOMIC STUDY
ETUDE FINANCIERE	FINANCIAL STUDY
EUTROPHISATION	EUTROPHICATION
EVACUATEUR A HAUSSES FUSIBLES	FUSE PLUG SPILLWAY
EVACUATEUR AVEC VANNES	GATED SPILLWAY
EVACUATEUR DE CRUE	SPILLWAY
EVACUATEUR DE SECOURS	EMERGENCY SPILLWAY
EVACUATEUR DE SURFACE	SURFACE SPILLWAY
EVACUATEUR DES CORPS FLOTTANTS	FLOATING DEBRIS PASS
EVACUATEUR DES GLACES	ICE PASS
EVACUATEUR EN CHARGE	PRESSURE SPILLWAY
EVACUATEUR EN SIPHON	SIPHON SPILLWAY
EVACUATEUR LATERAL	SIDE SPILLWAY
EVACUATEUR PRINCIPAL	MAIN SPILLWAY
EVACUATEUR SANS VANNES	UNCONTROLLED SPILLWAY
EVAPORATION	EVAPORATION
EXPLOITATION	DAM OPERATION
EXPLOITATION	OPERATION
EXPLOITATION DU RESERVOIR	RESERVOIR OPERATION
EXTENSIBILITE	EXTENSIBILITY
EXTENSION	TENSION
EXTENSOMETRE	EXTENSOMETER
FAILLE	FAULT
FINANCEMENT	FINANCING
FISSURATION	CRACKING
FLUAGE	CREEP
FONDATION	FOUNDATION
FORAGE	BORING
FORCE	STRENGTH
FORMATION ALLUVIALE	ALLUVIAL FORMATION
FORMULE DIVERSE DE CALCUL	OTHER CALCULATION METHOD
FOUILLE	EXCAVATION
FOUILLE BLINDEE	SUPPORTED EXCAVATION
FOUILLE DANS L'EAU	UNDERWATER EXCAVATING
FRACTURATION	FRACTURING
FRACTURATION HYDRAULIQUE	HYDRAULIC FRACTURING
FRASIL	FRAZIL ICE
FREQUENCE	FREQUENCY
FREQUENCE DES MESURES	FREQUENCY OF MEASUREMENTS
FREQUENCE DES VISITES	FREQUENCY OF INSPECTIONS
FROTTEMENT INTERNE	INTERNAL FRICTION



FUITE	LEAKAGE
FUMEE DE SILICE	SILICA FUME
GALERIE	TUNNEL
GALERIE DE DRAINAGE	DRAINAGE GALLERY
GALERIE DE VISITE	INSPECTION GALLERY
GALERIE D'INJECTION	GROUTING GALLERY
GAZ DISSOUS	DISSOLVED GAS
GELIVITE	FROST ACTION
GEOLOGIE	GEOLOGICAL INVESTIGATION
GEOLOGIE	GEOLOGY
GEOPHYSIQUE	GEOPHYSICAL INVESTIGATION
GEOTECHNIQUE	GEOTECHNICAL INVESTIGATION
GEOTEXTILE	GEOTEXTILE
GLACE	ICE
GLISSEMENT DE TERRAIN	LANDSLIDE
GONFLEMENT	SWELLING
GPS	GLOBAL POSITIONING SYSTEM
GRANULAT	AGGREGATE
GRANULOMETRIE	GRAIN SIZE DISTRIBUTION
GRILLE	TRASH RACK
HAUSSE FUSIBLE	FUSE PLUG
HAUTEUR DES LEVEES	HEIGHT OF LIFTS
HYDROGEOLOGIE	HYDROGEOLOGY
HYDROGRAMME UNITAIRE	UNIT HYDROGRAPH
HYDROLOGIE	HYDROLOGY
HYPOTHESE DE CHARGE	LOAD HYPOTHESIS
IDENTIFICATION DES SOLS	SOIL IDENTIFICATION
INDEMNITE	COMPENSATION
INDUSTRIE	INDUSTRY
INFILTRATION	SEEPAGE
INJECTION	GROUTING
INJECTION CHIMIQUE	CHEMICAL GROUTING
INONDATION	FLOODING
INSECTE	INSECT
INSPECTION SUBAQUATIQUE	UNDERWATER INSPECTION
INSTALLATION DE CHANTIER	CONSTRUCTION PLAN
INSTALLATION DE CHANTIER	CONSTRUCTION PLANT
IRRIGATION	IRRIGATION
JAUGE DE CONTRAINTE	STRAIN GAUGE
JAUGE DE TASSEMENT	SETTLEMENT GAUGE
JOINT DE CONSTRUCTION	CONSTRUCTION JOINT
JOINT DE CONTRACTION	CONTRACTION JOINT
JOINT DE DILATATION	EXPANSION JOINT

JOINT DE REPRISE	LIFT JOINT
JOINT D'ISOLATION	ISOLATION JOINT
JOINT SEC	COLD JOINT
KARST	KARST
LAITIER	SLAG
LIQUEFACTION	LIQUEFACTION
MAÇONNERIE	MASONRY
MAITRISE DES CRUES	FLOOD CONTROL
MASQUE AMONT	UPSTREAM FACING
MASQUE AMONT SOUPLE	UPSTREAM MEMBRANE
MASSIF AMONT	UPSTREAM FILL
MASSIF AVAL	DOWNSTREAM FILL
MASTIC BITUMINEUX	BITUMINOUS MASTIC
MATERIAU	MATERIAL
MATERIAU ETANCHE	IMPERVIOUS MATERIAL
MATERIAU PERMEABLE	PERVIOUS MATERIAL
MATERIAU POUR FILTRE	FILTER MATERIAL
MATERIAU SYNTHETIQUE	SYNTHETIC MATERIAL
MATERIEL HYDROMECHANIQUE	HYDROMECHANICAL EQUIPMENT
MATIERE EN SOLUTION	DISSOLVED MATERIAL
MATIERE EN SUSPENSION	SUSPENDED MATTER
MECANIQUE DES ROCHES	ROCK MECHANICS
MECANIQUE DES SOLS	SOIL MECHANICS
MESURE DE DEFORMATION	DEFORMATION MEASUREMENT
MESURE DE PROTECTION	PROTECTIVE MEASURE
MESURE DE TEMPERATURE	TEMPERATURE MEASUREMENT
METAL	METAL
METHODE DE CALCUL	CALCULATION METHOD
METHODE DE CONSTRUCTION	CONSTRUCTION METHOD
METHODE DE CONTRÔLE	CONTROL METHOD
METHODE DES DIFFERENCES FINIES	FINITE DIFFERENCE
METHODE DES ELEMENTS FINIS	FINITE ELEMENTS METHOD
METHODE DES VOLUMES FINIS	FINITE VOLUME METHOD
METHODE STATISTIQUE	STATISTICAL METHOD
METHODE STOCHASTIQUE	STOCHASTICAL METHOD
MICROORGANISME	MICROORGANISM
MISE EN PLACE DU BETON	PLACING OF CONCRETE
MISE EN PLACE DU REMBLAI	PLACING OF FILL
MISE EN PLACE SOUS L'EAU	UNDERWATER PLACING
MISE EN VALEUR DES TERRES	LAND RECLAMATION
MODELE	MODEL
MODELE HYDRAULIQUE	HYDRAULIC MODEL
MODELE MATHEMATIQUE	MATHEMATICAL MODEL

MODELE NUMERIQUE	NUMERICAL MODEL
MODELE PHYSIQUE	PHYSICAL MODEL
MODIFICATION DU CLIMAT	MODIFICATION OF CLIMATE
MONOCOUCHE BITUMINEUX	ONE LAYER ASPHALTIC FACING
MULTICOUCHE BITUMINEUX	MULTIPLE LAYER ASPHALTIC FACING
MUR DE SOUTÈNEMENT	RETAINING WALL
MUR PARAFOUILLE	CUTOFF WALL
NAISSANCE DE L'ARC	SPRINGING
NAPPE PHREATIQUE	PHREATIC SURFACE
NAVIGATION	NAVIGATION
NIVEAU HYDRAULIQUE	WATER LEVEL
NOYAU	CORE
ORGANE D'EVACUATION CONTRÔLE	CONTROLLED RELEASE FACILITY
ORGANISATION DES TRAVAUX	SITE INSTALLATION
OUVRAGE ANNEXE	APPURTENANT STRUCTURE
OUVRAGE D'AMENEE	HEADRACE
OUVRAGE DE DERIVATION	DIVERSION WORK
OUVRAGE DE FUITE	TAILRACE
OUVRAGE DE RESTITUTION DES DEBITS	OUTLET STRUCTURE
OUVRAGE D'ETANCHEITE	SEALING WORK
OUVRAGE INCORPORE AU BARRAGE	COMBINED STRUCTURE
OUVRAGE PROVISOIRE	TEMPORARY WORK
OUVRAGE SEPRE DU BARRAGE	SEPARATED STRUCTURE
PALPLANCHE	SHEET PILING
PARAFOUILLE	CUTOFF
PAREMENT AMONT	UPSTREAM FACE
PAREMENT AVAL	DOWNSTREAM FACE
PAROI EXCAVEE	SLURRY TRENCH
PAROI MOULEE	DIAPHRAGM WALL
PASSE A BOIS	LOG CHUTE
PASSE A POISSONS	FISH PASS
PAYSAGE	LANDSCAPE
PENDULE	PENDULUM
PERFORMANCE	PERFORMANCE
PERMEABILITE	PERMEABILITY
PERTUIS PROVISOIRE	TEMPORARY OPENING
PHASE DE CONSTRUCTION	CONSTRUCTION PHASE
PHOTOELASTICITE	PHOTOELASTICITY
PIED AMONT	UPSTREAM TOE
PIEU	PILE
PIEZOMETRE	PIEZOMETER
PILE	PIER
PLAN D'ALERTE ET DE SECOURS	EMERGENCY PLANNING

PLAN D'ALERTE ET DE SECOURS	EMERGENCY PLAN
PLASTICITE	PLASTICITY
PLASTIFIANT	PLASTICIZING ADMIXTURE
PLOT	BLOCK
POIDS PROPRE	WEIGHT
POISSON	FISH
POROSITE	POROSITY
POUSSEE DES GLACES	ICE PRESSURE
POUSSEE DES TERRES	EARTH PRESSURE
POUZZOLANE	POZZOLAN
PRECONTRAINT	PRESTRESSING
PREFABRICATION	PREFABRICATION
PRESSION DUE AUX LIMONS	SILT PRESSURE
PRESSION INTERSTITIELLE	PORE PRESSURE
PRESSION TOTALE	TOTAL PRESSURE
PREVISION DES CRUES	FLOOD FORECASTING
PRISE D'EAU	INTAKE
PRODUCTION D'ENERGIE	POWER SUPPLY
PRODUIT DE CURE	CURING COMPOUND
PROGRAMME DES TRAVAUX	CONSTRUCTION PROGRAM
PROGRAMME DES TRAVAUX	CONSTRUCTION PROGRAMME
PROTECTION DES TALUS	SLOPE PROTECTION
PUITS	SHAFT
PUITS DE DECOMPRESSION	DRAINAGE WELL
PUITS DE DECOMPRESSION	RELIEF WELL
QUALITE DE L'EAU	WATER QUALITY
RADIER	APRON
RECHARGE AMONT	UPSTREAM SHELL
RECHARGE AMONT	UPSTREAM SHOULDER
RECHARGE AVAL	DOWNSTREAM SHOULDER
RECHARGE AVAL	DOWNSTREAM SHELL
RECONNAISSANCE DU SOL	SOIL INVESTIGATION
REDUCTION DES COUTS	COST REDUCTION
REFROIDISSEMENT	COOLING
REGLEMENTATION	REGULATION
REGULARISATION DES DEBITS	DISCHARGE REGULATION
REHABILITATION	REHABILITATION
REMBLAI	FILL
REMBLAI DE STERILE MINIER	INDUSTRIAL WASTE DAM
REMBLAI DEVERSE	DUMPED FILL
REMBLAI DEVERSE	EMBANKMENT
REMBLAI HYDRAULIQUE	HYDRAULIC FILL
RENARD	PIPING

RENFORCEMENT	STRENGTHENING
REPARATION	REPAIR
REPRISE	LIFT JOINT
RESEAU D'ECOULEMENT	FLOW NET
RESERVE DE CRUE	FLOOD STORAGE
RESERVE MORTE	DEAD STORAGE
RESERVE TOTALE	RESERVOIR CAPACITY
RESERVE UTILE	ACTIVE STORAGE
RESISTANCE	RESISTANCE
RESISTANCE A LA COMPRESSION	COMPRESSIVE STRENGTH
RESISTANCE A LA TRACTION	TENSILE STRENGTH
RESISTANCE AU CISAILLEMENT	SHEAR STRENGTH
RESISTANCE AU SEISME	SEISMIC RESISTANCE
RETABLISSEMENT DES VOIES DE COMMUN.	ROAD RAILWAY DIVERSION
RETARDATEUR DE PRISE	RETARDING AGENT
RETENUE	RESERVOIR
RETRAIT	SHRINKAGE
REVANCHE	FREEBORD
REVETEMENT	LINING
RISQUE DES TIERS	THIRD PARTY RISK
ROCHER ALTERE	WEATHERED ROCK
ROCHER COMPACT	MASSIVE ROCK
ROCHER FRACTURE	FISSURED ROCK
RUISSELLEMENT	RUNOFF
RUPTURE	FAILURE
RUPTURE DE BARRAGE	DAM FAILURE
SATURATION	SATURATION
SAUT DE SKI	SKI JUMP
SECURITE	SAFETY
SECURITE DES BARRAGES	SAFETY OF DAMS
SEISME INDUIT	INDUCED SEISMICITY
SEISMICITE	SEISMICITY
SEMELLE	FOOTING
SEUIL	SILL
SIPHON	SIPHON
SITUATION CRITIQUE	EMERGENCY SITUATION
SOL	SOIL
SOL COMPRESSIBLE	COMPRESSIBLE SOIL
SOL MEUBLE	LOOSE SOIL
SONDAGE	SOUNDING
SOUS-PRESSION	UPLIFT
SOUTENEMENT	SUPPORTING
SOUTERRAIN	TUNNEL

SPECIFICATION	SPECIFICATION
SPECTRE DE REPONSE	RESPONSE SPECTRUM
STABILITE	STABILITY
STABILITE DE VERSANT	SLOPE STABILITY
SUBMERSION	OVERTOPPING
SURELEVATION	HEIGHTENING
SURFACE DE GLISSEMENT	SLIP SURFACE
SURFACE DE SATURATION	SATURATION SURFACE
SURFACE LIBRE	FREE NAPPE
TAPIS AMONT	UPSTREAM BLANKET
TAPIS DE PROTECTION	PROTECTIVE APRON
TAPIS DE RECEPTION	SCOUR PROTECTION
TAPIS D'ETANCHEITE	UPSTREAM BLANKET
TAPIS DRAINANT	DRAINAGE BLANKET
TAPIS ETANCHE	IMPERVIOUS BLANKET
TASSEMENT	SETTLEMENT
TELEMESURE	TELEMETERING SYSTEM
TEMPERATURE	TEMPERATURE
TENEUR EN EAU	WATER CONTENT
TERRAIN ETANCHE	IMPERVIOUS GROUND
TERRAIN PERMEABLE	PERVIOUS GROUND
TERRE	EARTH
TERRE ARMEE	REINFORCED EARTH
TOPOGRAPHIE	TOPOGRAPHY
TOUR DE PRISE	INTAKE TOWER
TOURISME	TOURISM
TRAITEMENT DES FONDATIONS	FOUNDATION TREATMENT
TRIAL LOAD	TRIAL LOAD METHOD
TRIDIMENSIONNEL	THREEDIMENSIONAL
TROU D'AFFAISSEMENT	SINKHOLE
TROU DE DRAINAGE	DRAINAGE HOLE
TULIPE	MORNING GLORY
USURE	WEAR
VAGUE	WAVE
VANNE	GATE
VANNE BATARDEAU	BULKHEAD GATE
VANNE SEGMENT	RADIAL GATE
VECTEUR DE MALADIE	DISEASE CARRIER
VEGETATION	VEGETATION
VERSANT DE RETENUE	RESERVOIR SLOPE
VIBRATION	VIBRATION
VIDANGE	DEWATERING
VIDANGE DE FOND	BOTTOM OUTLET

VIDANGE POUR VISITE	DRAWDOWN FOR INSPECTION
VIEILLISSEMENT	AGEING
VISITE	INSPECTION
WATERSTOP	WATERSTOP
ZONE DE TRANSITION	TRANSITION ZONE
ZONE HABITEE	POPULATED AREA